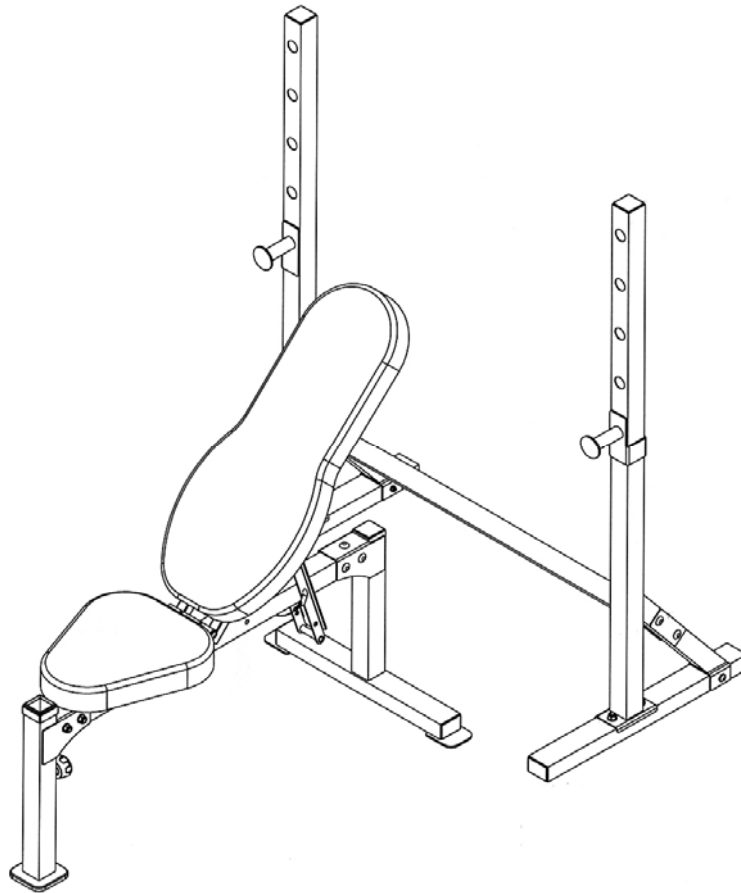


MP EX

F I T N E S S P R O D U C T S

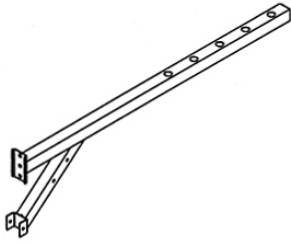
MARCY PRO BENCH PM-888



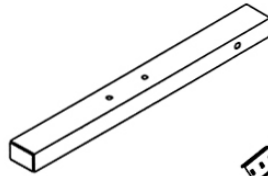
IMPORTANT: Please read the Important Safety Notice and Assembly Information in the Owner's manual before assembling this product.

Assembly Manual

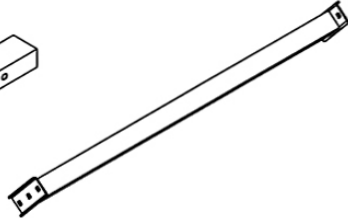
120716



①×2



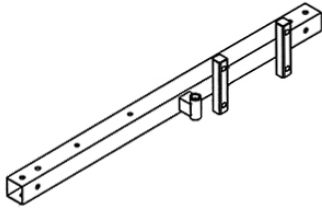
②×2



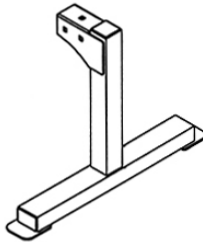
③×1



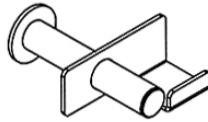
④×1



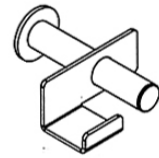
⑤×1



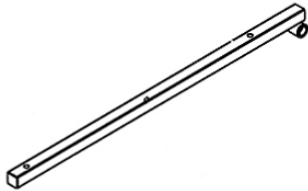
⑥×1



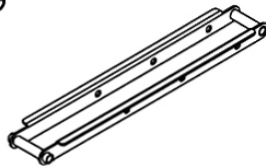
⑦×1



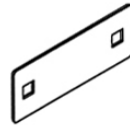
⑧×1



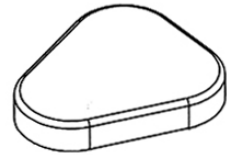
⑨×2



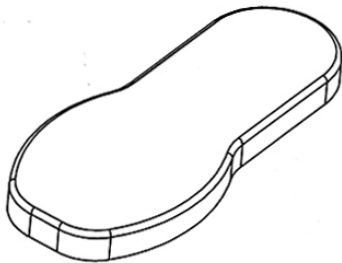
⑩×1



⑪×4



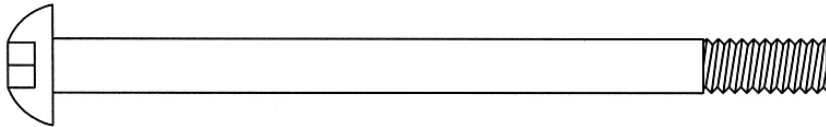
⑫×1



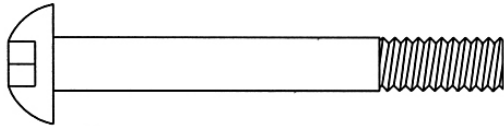
⑬×1



⑭ x 1



⑰ x 1



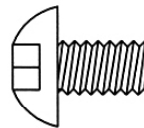
⑱ x 2



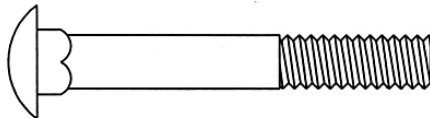
⑳ x 30



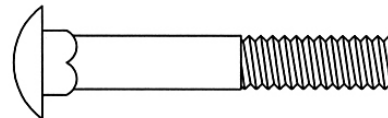
㉑ x 8



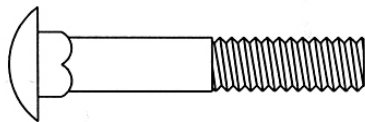
㉒ x 2



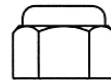
㉓ x 6



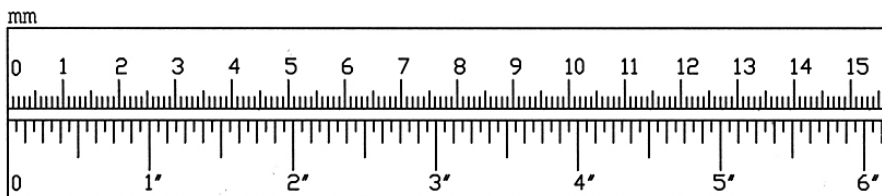
㉔ x 4



㉕ x 4

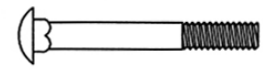


㉖ x 17

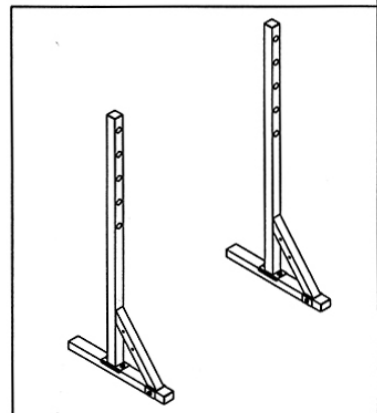
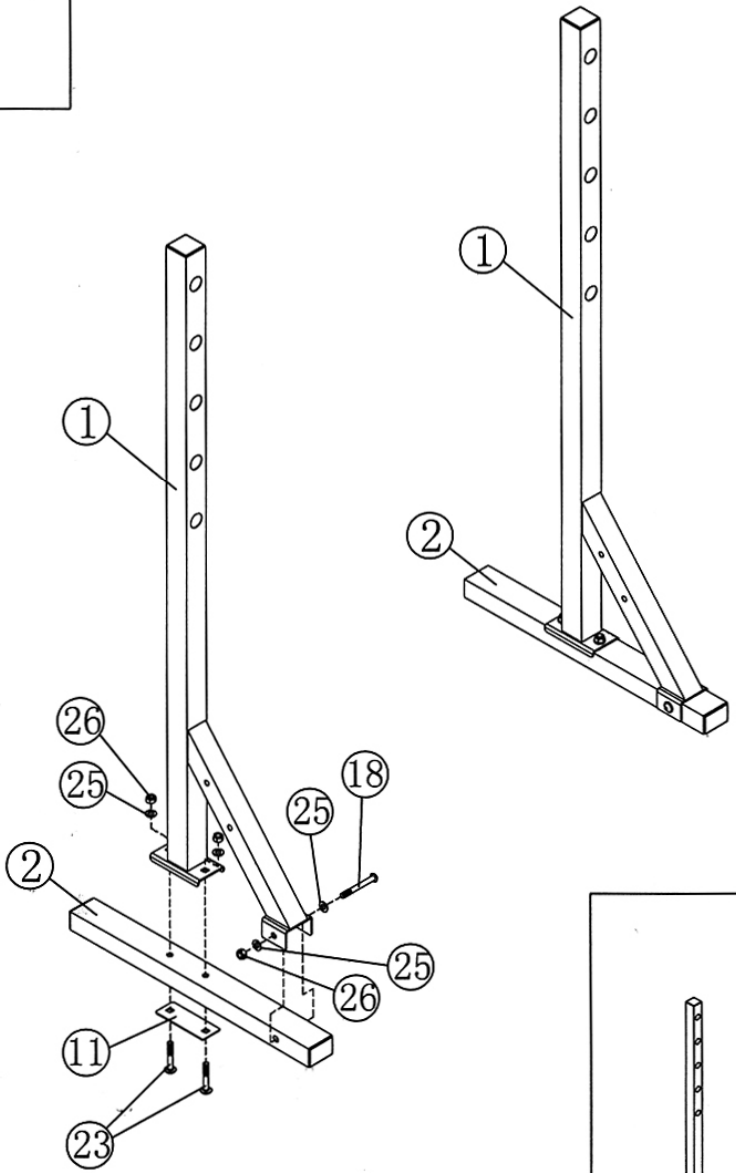
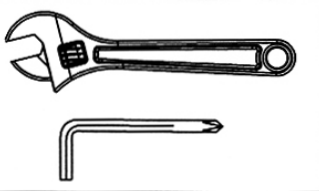


⑱×2  M10 x 3 $\frac{1}{8}$ "

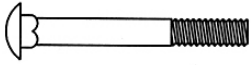
⑳×8  $\varnothing \frac{3}{4}$ "

㉓×4  M10 x 2 $\frac{1}{4}$ "

㉖×6  M10

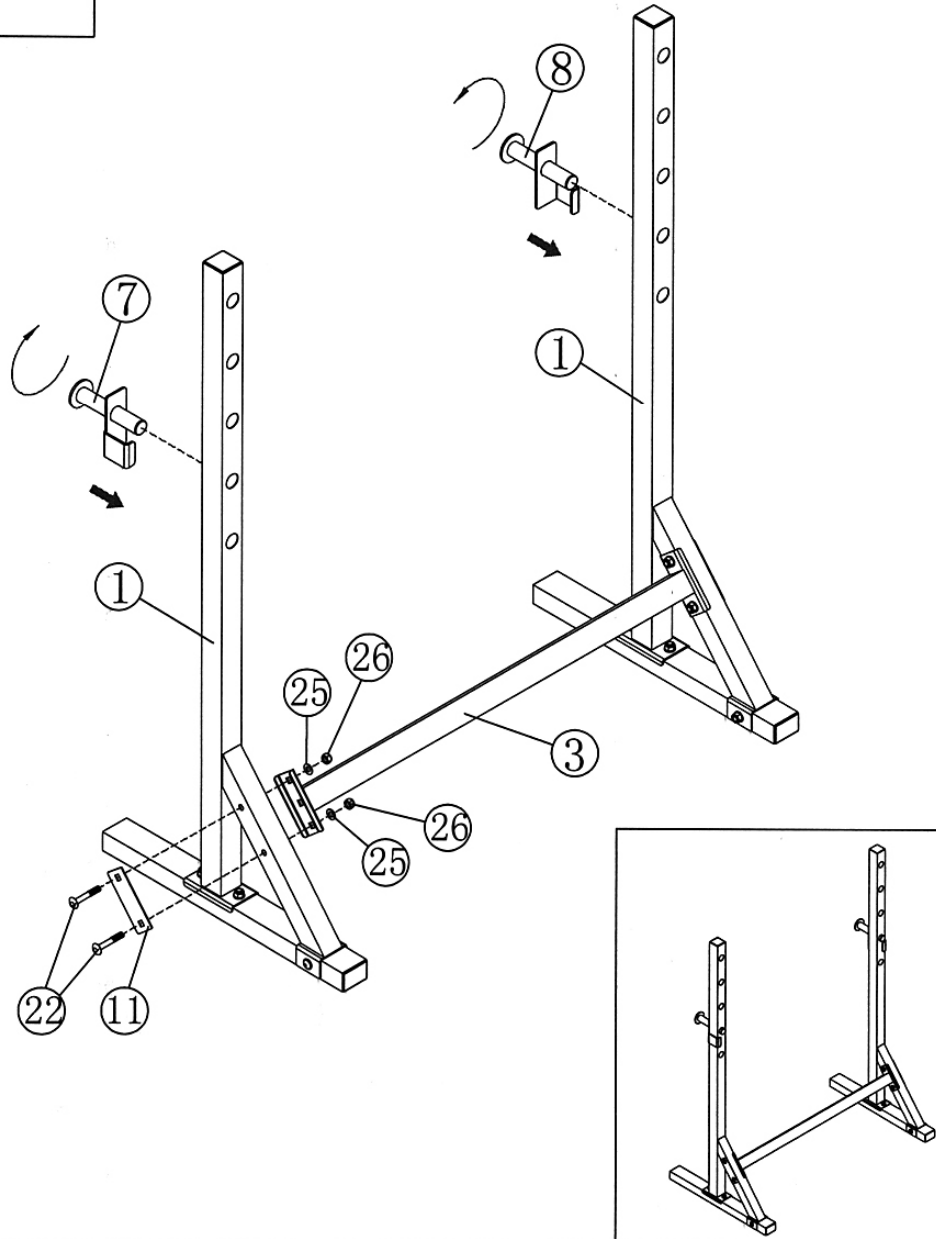
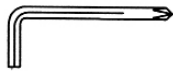


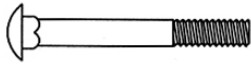
1

②② × 4  M10 x 2 1/2"

②⑥ × 4  M10

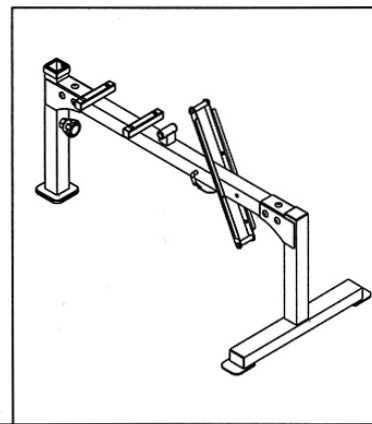
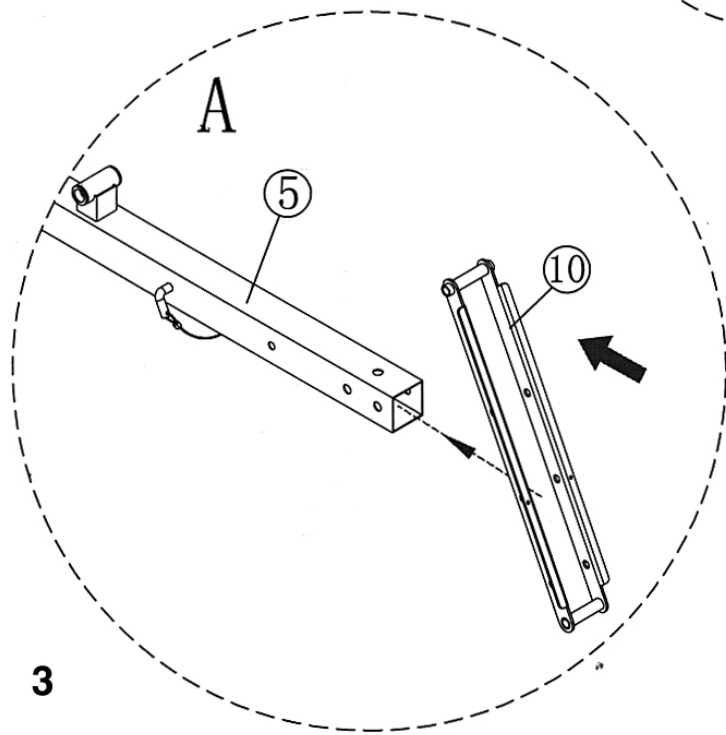
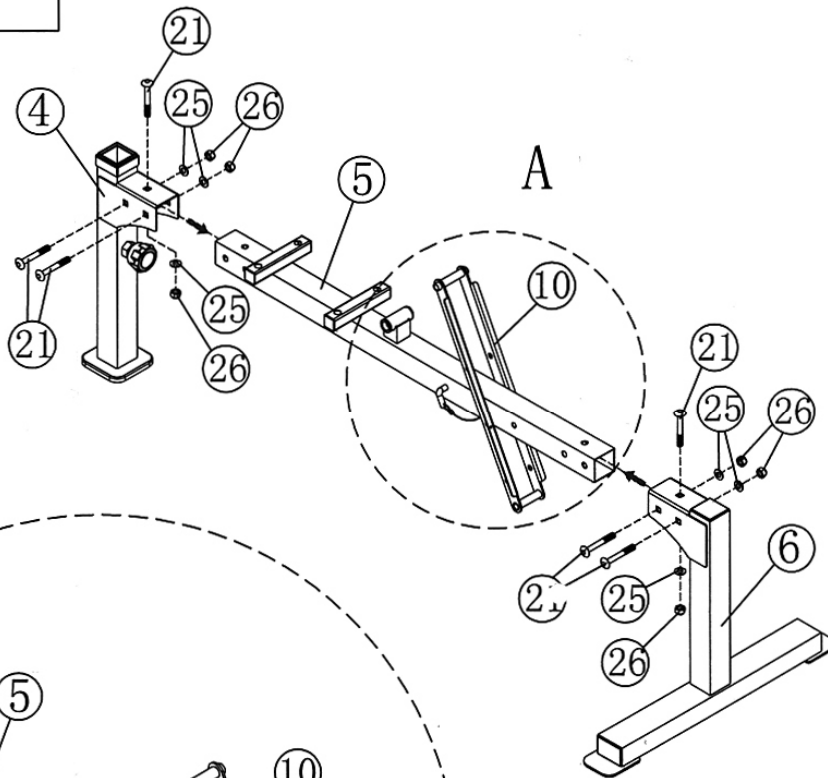
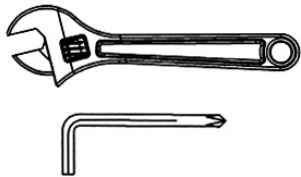
②⑤ × 4  $\varnothing \frac{3}{4}$ "

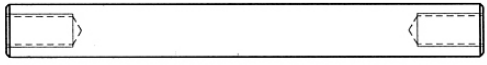
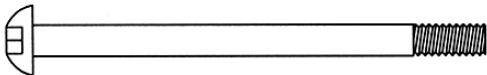





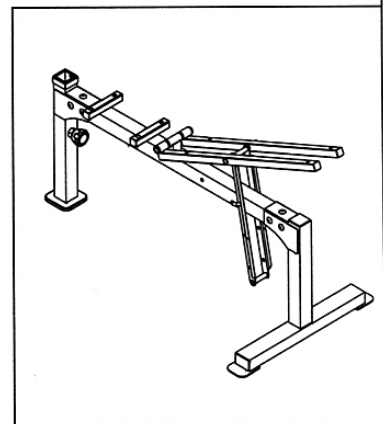
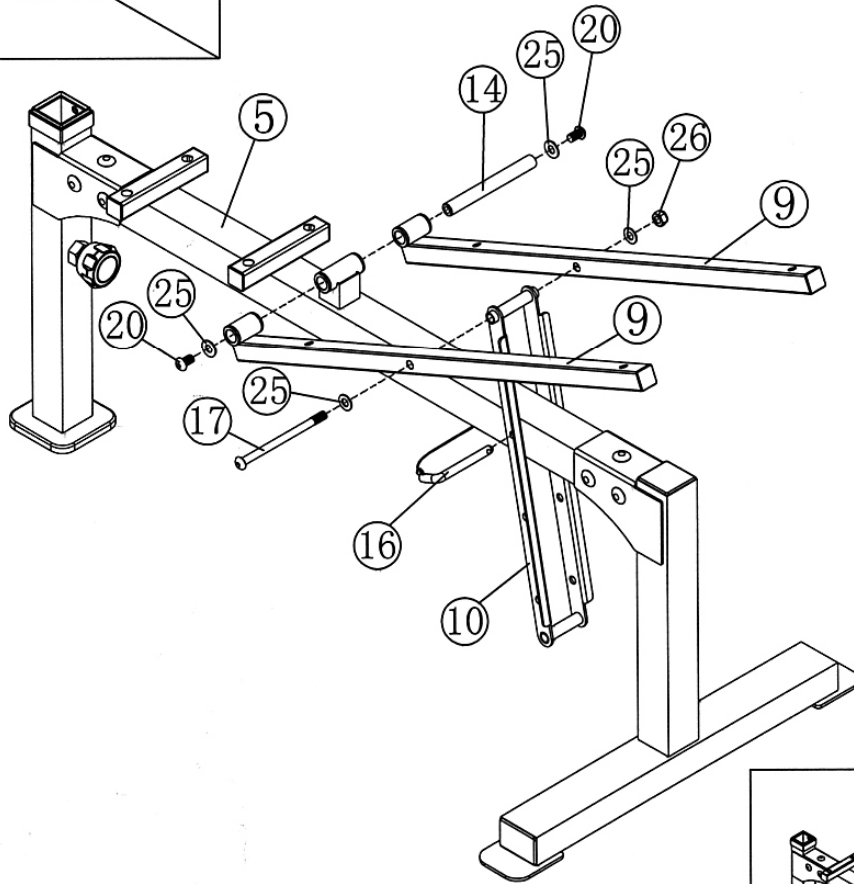
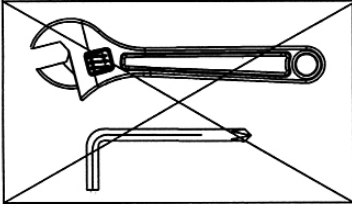
⑳ × 6  M10 x 2 $\frac{3}{4}$ "

㉔ × 6  M10

㉕ × 6  $\varnothing \frac{3}{4}$ "



- ⑭ × 1  M10 x $\varnothing \frac{5}{8}$ " x 5 $\frac{5}{8}$ "
- ⑰ × 1  M10 x 5 $\frac{3}{8}$ "
- ⑳ × 2  M10 x $\frac{5}{8}$ "
- ㉑ × 1  M10
- ㉒ × 4  $\varnothing \frac{3}{4}$ "



4

①9 × 8

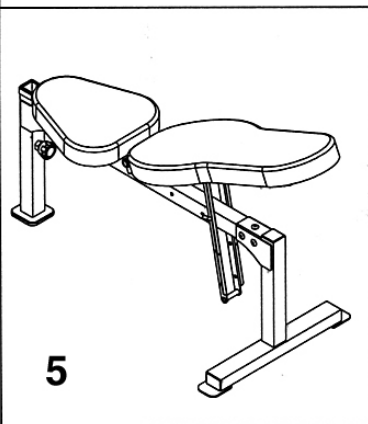
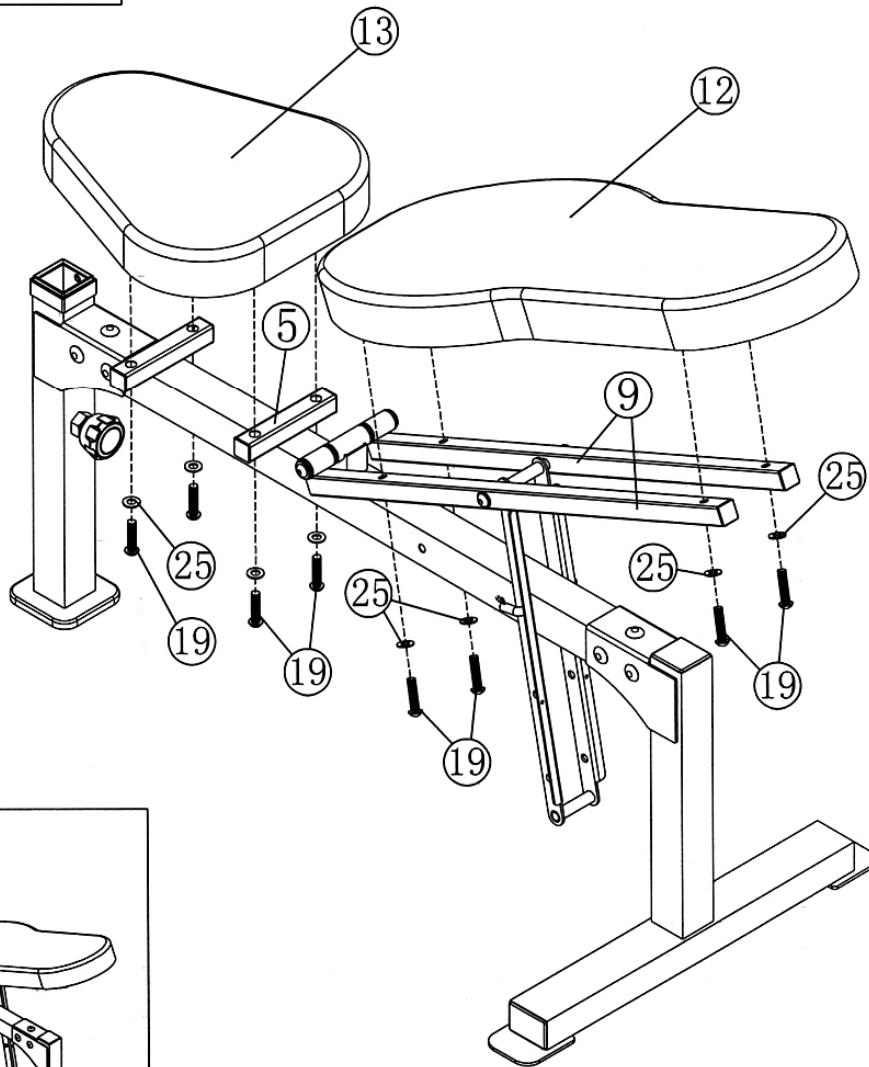
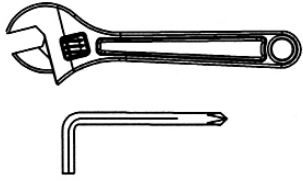


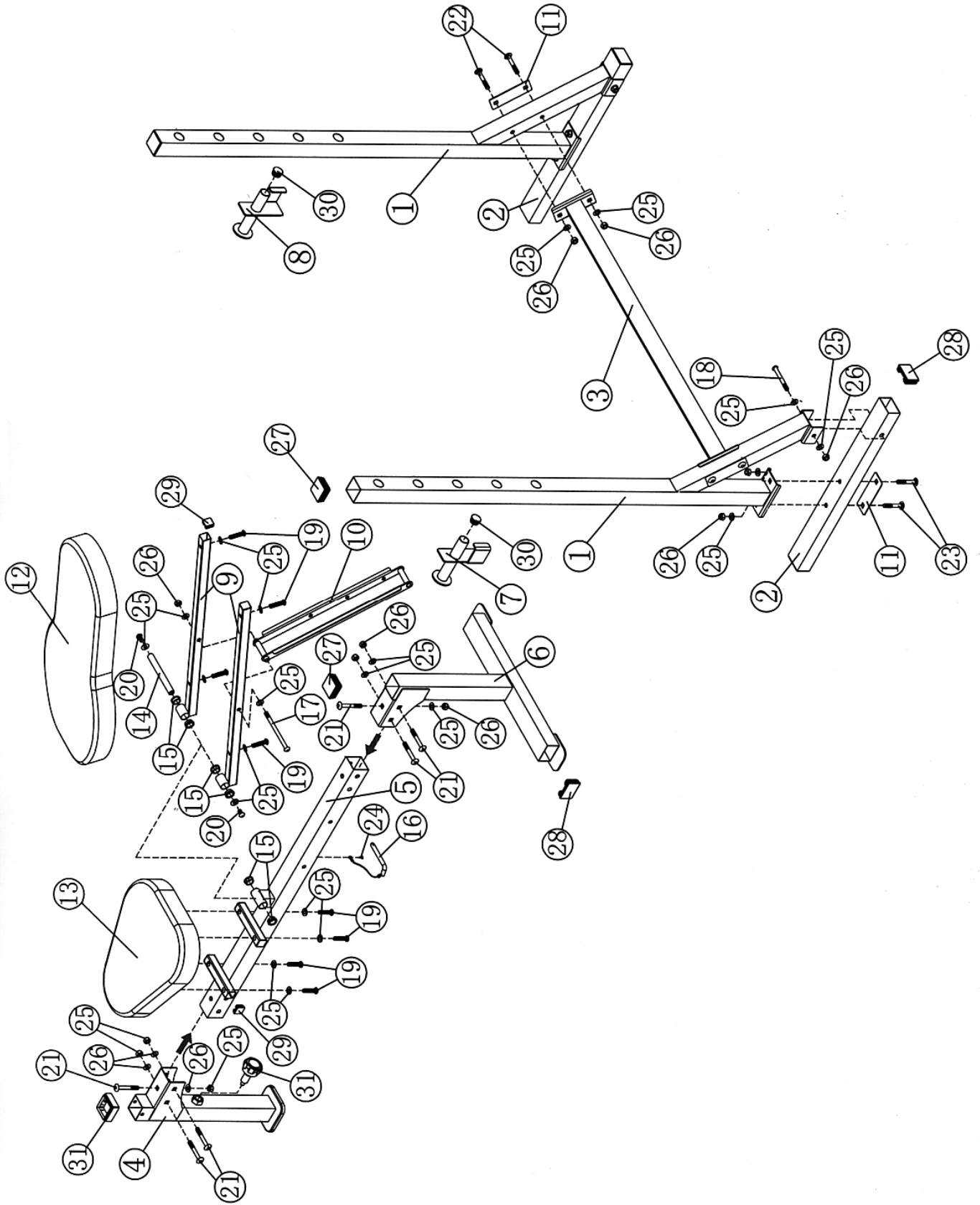
M10 x 1 $\frac{5}{8}$ "

②5 × 8



∅ $\frac{3}{4}$ "





IMPEX® INC.

2801 Towne Ave, Pomona, CA 91766
Tel: (800) 999-8899 Fax: (626) 961-9966
www.impex-fitness.com
info@impex-fitness.com